

# 智明電子股份有限公司規格承認書

## CHIMING ELECTRONICS CORP SPECIFICATION FOR APPROVAL

住址: 30271 新竹縣竹北市復興二路 229 號 9 樓之 1

**Add:** 30271 Rm. 1, 9F., No.229, Fuxing 2nd Rd., Zhubei City, Hsinchu County 302, Taiwan (R.O.C.)

**Tel:** 886-03-6587785 OR 03-6587781 **Fax:** 886-03-6578598

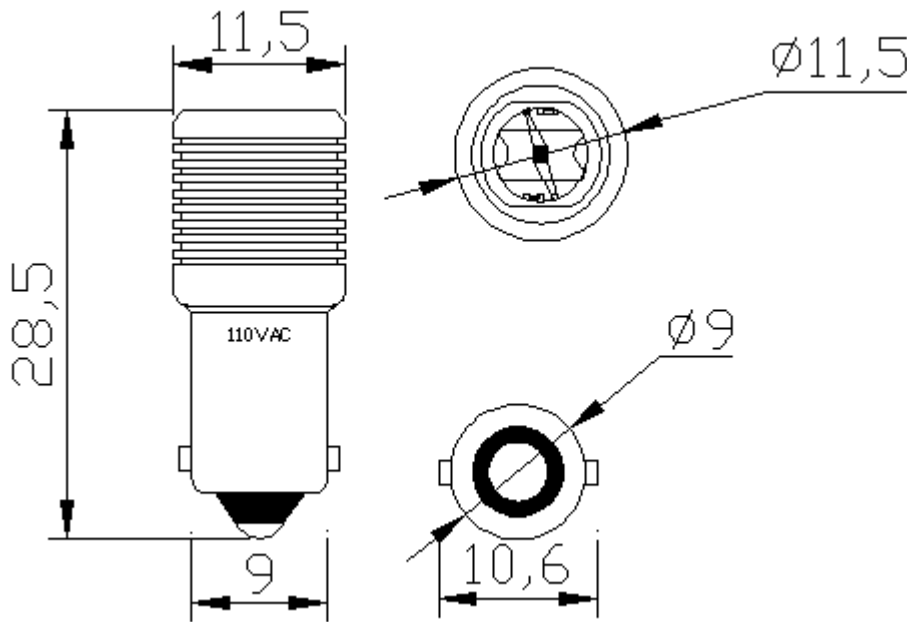
**E-mail:** att2278@ms71.hinet.net [Http://www.chi-ming.com](http://www.chi-ming.com)

### DESCRIPTION:

(A) Electronics and Optical Characteristics: Ta=25°C

PART NO	Emitting Color	Forward Voltage (AC)	Totality Luminous Intensity	Efficacy	Dominant Wavelength	Color Temperature	Single LED Intensity	Viewing Angle
<b>BA9S-1HP -110VAC</b>		Unit: V	Unit: LM Error margin: ±5%	Unit: LM/W	Unit: nm	Unit: K	Unit: mcd (0.5m)	Unit: deg
W	Super White	110	39.916	60.48	X:0.306Y:0.325	6871	7751	107.7
<b>Test Condition</b>		<b>Power:0.66W</b>			<b>Current:6 ± 10%mA</b>			

Figure:



(B) Absolute Maximum Ratings AT Ta=25°C

PARAMETER	MAX	UNIT
Continuous Forward Current		mA
Peak Forward Current (1/10 Duty Cycle 0.1ms Pulse Width)		mA
Reverse Voltage		V
Operating Temperature Range	-20°C to +50°C	
Storage Temperature Range	-40°C to +100°C	
Lead Solder Temperature 1.6mm Below Package 260°C For 5 seconds		

APPROVED & CHECKED BY: LaiChongJian Tested By: LaiChongJian Date: 2009/09/01